

MasterMover®

USA Electric Tugger Solutions



MT200

Master Tug

MasterTug® MT200

The MasterTug® MT200 is the smallest electric tug in the MasterTug® range and is designed to move loads weighing up to 4,400 lbs.

The internal weight packs provide maximum traction, allowing the high powered AC motor to work at maximum efficiency. Coupled with the variable speed button, the MT200 is the perfect electric tug for moving parts, stock or containers through various environments.

The automatic tiller cut off, self-adjusting castors and additional anchor points all maximises operator safety and the interchangeable battery ensures the machine is available for use 24/7.

Industries

Suitable for use in a wide range of applications and sectors



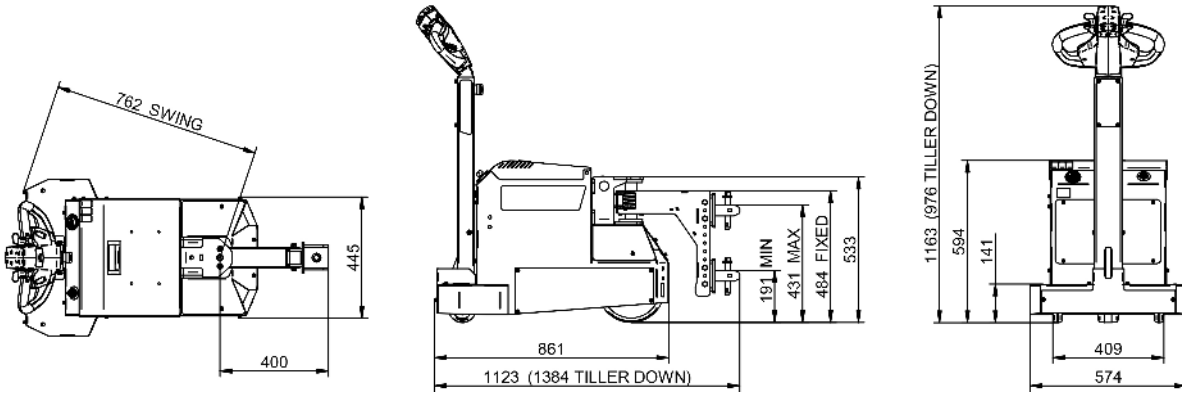
Construction and Mining Equipment

Key Benefits

1 year full guarantee

- Push and Pull any load safely up to 4,400 lbs
- Interchangeable battery for 24/7 operation
- Tiller arm release automatic braking system
- Anti-crush button for operator safety
- Internal weight packs for added stability
- Variable speed controls
- Fully customisable and bespoke couplings

Product Dimensions



Safety Features

See our website for full technical details



Automatic cut off as tiller arm returns to vertical



Anti-crush button



Emergency stop button



Warning horn

MaxLoadWeight

See our website for full technical details



Castors

Up to 4,400 lb*



Rails

Up to 18,000 lb*

*"Maximum load weight" is only a recommendation that we arrive at by estimating rolling resistance. Your environment and wheel type may affect this figure which is why we carry out a detailed technical evaluation on every project. All of our calculations include a "safe work load" factor to ensure safe operation in all circumstances.

Identification

Product code	MT200
Recommended load weight - Castors	4400 lbs
Recommended load weight - Rails	17600 lbs
Machine weight including battery	500 lbs
Drive type	Electric AC
Parking brake	Electromagnetic
Drive wheel type	Polyurethane
Drive motor power	1.2 kW
Controller type	AC
Variable machine speed	0.1 mph - 3.1 mph
Ingress Protection	IP44

Battery options

Battery pack - sealed - 46Ah 24V - interchangeable

Charging options

Charger - internal - 12.5A 24V - 110V-240V

Charger - external - 10A 24V - 110V-240V

Mast options

Mast - fixed

Additional equipment

Flashing safety light and motion bleeper

Two speed selector switch

Lifting and anchoring points

Battery protection system

Male coupling options

Coupling - male - height adjustable box

Female coupling options

Coupling - female - box

To arrange a demonstration, or for further information about our electric tug material handling solutions, please contact us

MasterMover Inc, 8041-J Arrowridge Boulevard, Charlotte, NC 28273, , USA

Telephone Sales: 980-263-2210 Email: sales@mastermover.com

Fax: Website: www.mastermover.com



AboutUs

Located in Charlotte, North Carolina, MasterMover is a business success story with customers all over the world.

Our products are relied upon by market leading organisations and global brands across a broad cross-section of industries including Aerospace, Automotive, Pharmaceutical, Retail and Healthcare.

