

MasterMover®

USA Electric Tugger Solutions



MT1000+

Master Tug

MasterTug MT1000+ | Electric Pedestrian Tug

The MasterTug MT1000+ is designed to allow a single pedestrian operator to easily push, pull and steer wheeled loads weighing up to a maximum of 22,000 lb. As part of the MasterTug range, the MT1000+ features a mast secured at either end for strength and an automatic braking system that brings the tug and load to a stop if the controls are released. The tug uses hydraulic weight transfer for traction and the AC drive motor provides all the power it needs.

Industries

Suitable for use in a wide range of applications and sectors



Airports



Aerospace



Plastic and Metal Extrusion



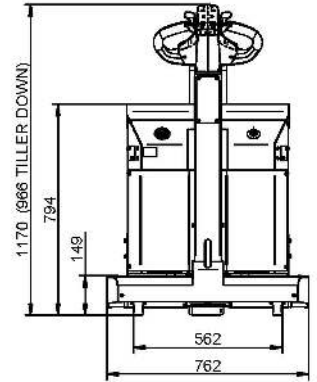
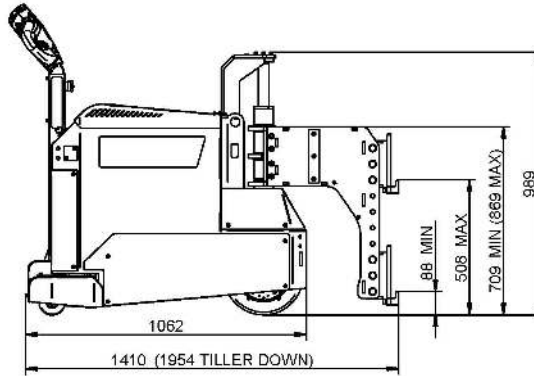
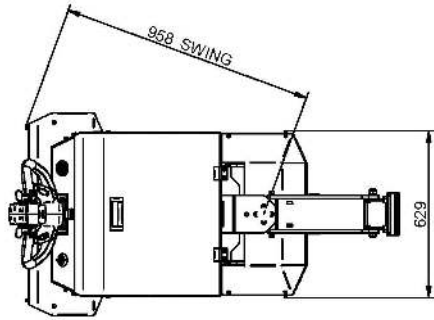
Engine, Pump and Generator

KeyBenefits

1 year full guarantee

- Battery monitoring system
- FEA tested steel chassis
- Dual secured mast
- AC drive motor
- Self-adjusting castor guard
- Hydraulic weight transfer

ProductDimensions



SafetyFeatures

See our website for full technical details



Self-adjusting castor guard for foot protection



Automatic cut off as tiller arm returns to vertical



Anti-crush button



Emergency stop button

MaxLoadWeight

See our website for full technical details



Castors

Up to 22,000 lb*



Rails

Up to 88,000 lb*

*"Maximum load weight" is only a recommendation that we arrive at by estimating rolling resistance. Your environment and wheel type may affect this figure which is why we carry out a detailed technical evaluation on every project. All of our calculations include a "safe work load" factor to ensure safe operation in all circumstances.

Identification

Product code	MT1000+
Recommended load weight - Castors	22000 lbs
Recommended load weight - Rails	88200 lbs
Machine weight including battery	1100 lbs
Drive type	Electric AC
Parking brake	Electromagnetic
Drive wheel type	Polyurethane
Drive motor power	2 kW
Controller type	AC
Variable machine speed	0.1 mph - 3.1 mph
Ingress Protection	IP44

Battery options

Battery pack - sealed - 179Ah 24V - interchangeable

Charging options

Charger - internal - 20A 24V - 110V-240V

Charger - external - 30A 24V - 110V-240V

Additional equipment

Option - flashing safety light and motion bleeper

Option - two speed selector switch

Option - wireless control handset

Option - lifting and anchoring points

Option - battery protection system

Male coupling options

Coupling - male - height adjustable combi - large

Coupling - male - height adjustable box - large

Coupling - channel coupling body

Female coupling options

Coupling - female - combi - large

Coupling - female - box - large

To arrange a demonstration, or for further information about our electric tug material handling solutions, please contact us

MasterMover Inc, 8041-J Arrowridge Boulevard, Charlotte, NC 28273, , USA

Telephone Sales: 980-263-2210 Email: sales@mastermover.com

Fax: Website: www.mastermover.com



AboutUs

Located in Charlotte, North Carolina, MasterMover is a business success story with customers all over the world.

Our products are relied upon by market leading organisations and global brands across a broad cross-section of industries including Aerospace, Automotive, Pharmaceutical, Retail and Healthcare.

