

# MasterMover®

USA Electric Tugger Solutions



## MT600+

# Master Tug

### MasterTug® MT600+

The MasterTug® MT600+ is a versatile electric tug, which utilises a hydraulic weight transfer system to provide even weight distribution and maximise safety when moving heavy loads.

A quick release pin or combi-lock, coupled with the hydraulic lifting mast allows the MT600+ to lift attached loads of up to 13,200 lb safely.

The optional wireless control handset for the MT600+ allows a single operator to maintain full visibility at all times, ensuring obstructions or hazards are easily avoided.

The automatic tiller cut off, self-adjusting castors and additional anchor points all maximises operator

MasterTug MT600+

## Industries

Suitable for use in a wide range of applications and sectors



Paper



Automotive and Commercial vehicles



Steel and Fabrication



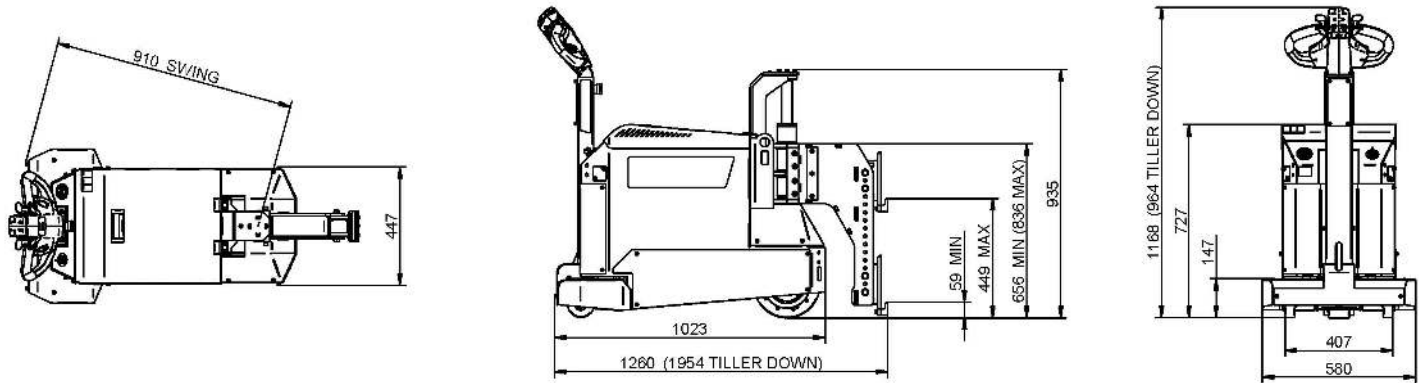
Plastic and Metal Extrusion

## KeyBenefits

1 year full guarantee

- Push and Pull any load safely up to 13,200 lb
- Interchangeable battery for 24/7 operation
- Wireless control handset
- Variable speed controls
- Tiller arm release automatic braking system
- Battery protection system
- Fully customisable and bespoke couplings

## ProductDimensions



## SafetyFeatures

See our website for full technical details



Self-adjusting castor guard for foot protection



Automatic cut off as tiller arm returns to vertical



Anti-crush button



Emergency stop button

## MaxLoadWeight

See our website for full technical details



Castors

Up to 13,200 lb\*



Rails

Up to 53,000 lb\*

\*"Maximum load weight" is only a recommendation that we arrive at by estimating rolling resistance. Your environment and wheel type may affect this figure which is why we carry out a detailed technical evaluation on every project. All of our calculations include a "safe work load" factor to ensure safe operation in all circumstances.

**Identification**

Product code	MT600+
Recommended load weight - Castors	13200 lbs
Recommended load weight - Rails	52900 lbs
Machine weight including battery	700 lbs
Drive type	Electric AC
Parking brake	Electromagnetic
Drive wheel type	Polyurethane
Drive motor power	1.5 kW
Controller type	AC
Variable machine speed	0.1 mph - 3.1 mph
Ingress Protection	IP44

**Battery options**

Battery pack - sealed - 119Ah 24V - interchangeable

Battery pack- lithium - 118Ah 24V - fixed

**Charging options**

Charger - external - 10A 24V - 110V-240V

Charger - external - 20A 24V - 110V-240V

**Additional equipment**

flashing safety light and motion bleeper

two speed selector switch

wireless control handset

battery protection system

**Male coupling options**

Coupling - male - height adjustable combi - medium

Coupling - male - height adjustable box - medium

Coupling - channel coupling body

**Female coupling options**

Coupling - female - combi - medium

Coupling - female - box - medium

To arrange a demonstration, or for further information about our electric tug material handling solutions, please contact us

MasterMover Inc, 8041-J Arrowridge Boulevard, Charlotte, NC 28273, , USA

Telephone Sales: 980-263-2210 Email: sales@mastermover.com

Fax: Website: www.mastermover.com



## AboutUs

Located in Charlotte, North Carolina, MasterMover is a business success story with customers all over the world.

Our products are relied upon by market leading organisations and global brands across a broad cross-section of industries including Aerospace, Automotive, Pharmaceutical, Retail and Healthcare.

