

MasterMover®

USA

Electric Tugger Solutions



PS3000+

Power Steered

**PS3000+ | Wireless
Controlled Electric
Tugger**

The most powerful pedestrian electric tugger offered by MasterMover is the PS3000+ which is capable of moving loads on castors up to 66,000 lb. A single operator can drive using a wireless transmitter to push, pull and manoeuvre loads aided by power steering, the only tug to boast this feature. A robust hydraulic mast and a smart coupling system provide maximum traction to the industrial drive wheel whilst the drive motor and side loading industrial capacity battery supply the power to move.

Power Steered PS3000+

Industries

Suitable for use in a wide range of applications and sectors



Automotive and Commercial vehicles



Automotive and Commercial vehicles



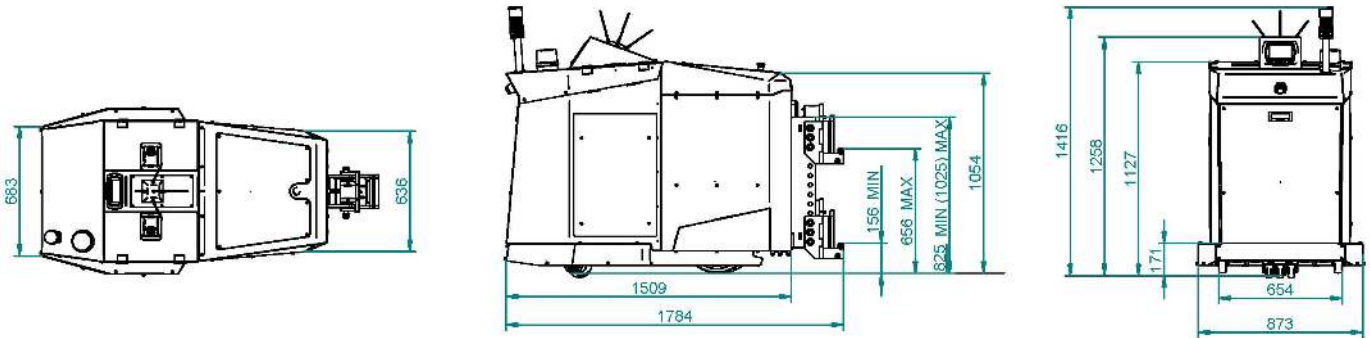
Construction and Mining Equipment

Key Benefits

1 year full guarantee

- Complete wireless control
- Hydraulic weight transfer
- Interchangeable batteries
- Up to 66,000 lb load capacity
- Self adjusting hydraulics
- FEA tested steel chassis

Product Dimensions



Safety Features

See our website for full technical details



Self adjusting castor guard



Emergency stop



Warning horn

Max Load Weight

See our website for full technical details



Castors

Up to 66,000 lb*



Rails

Up to 265,000 lb*

*"Maximum load weight" is only a recommendation that we arrive at by estimating rolling resistance. Your environment and wheel type may affect this figure which is why we carry out a detailed technical evaluation on every project. All of our calculations include a "safe work load" factor to ensure safe operation in all circumstances.

Identification

Product code	PS3000+
Recommended load weight - Castors	66100 lbs
Recommended load weight - Rails	264600 lbs
Machine weight including battery	2800 lbs
Drive type	Electric AC
Parking brake	Electromagnetic
Drive wheel type	Polyurethane
Drive motor power	5 kW
Variable machine speed	0-3.7 mph
Ingress Protection	IP44

Battery options

Battery pack - sealed - 120Ah 48V - interchangeable

Charging options

Charger - external - 20A 48V - 85V-265V

Charger - internal - 20A 48V - 85V-265V

Charger - battery station - 20A 48V - 85V-265V

Additional equipment

Option - single battery transportation trolley

Option - status light

Option - lifting and anchoring points

Option - on board camera

Option - battery protection system

Option - remote wireless E-stop - 1 machine

Male coupling options

Coupling - male - combi - extra large

Female coupling options

Coupling - female - extra large

Contact Us

Find your local dealer here

To arrange a demonstration, or for further information about our electric tug material handling solutions, please contact us

MasterMover Inc, 8041-J Arrowridge Boulevard, Charlotte, NC 28273, , USA

Telephone Sales: 980-263-2210 **Email:** sales@mastermover.com

Fax: **Website:** www.mastermover.com



About Us

Located in Charlotte, North Carolina, MasterMover is a business success story with customers all over the world.

Our products are relied upon by market leading organisations and global brands across a broad cross-section of industries including Aerospace, Automotive, Pharmaceutical, Retail and Healthcare.



Power Steered PS3000+